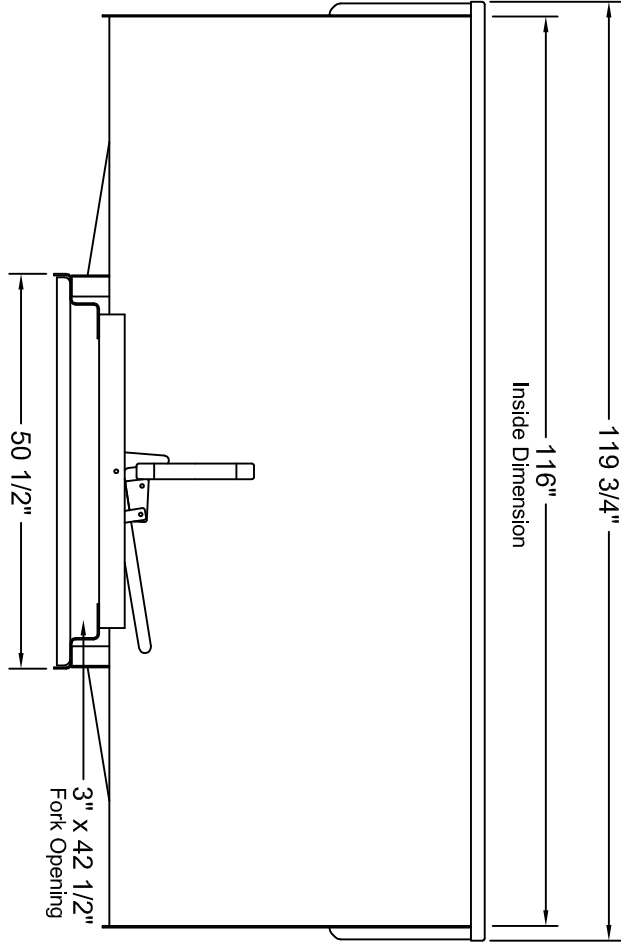
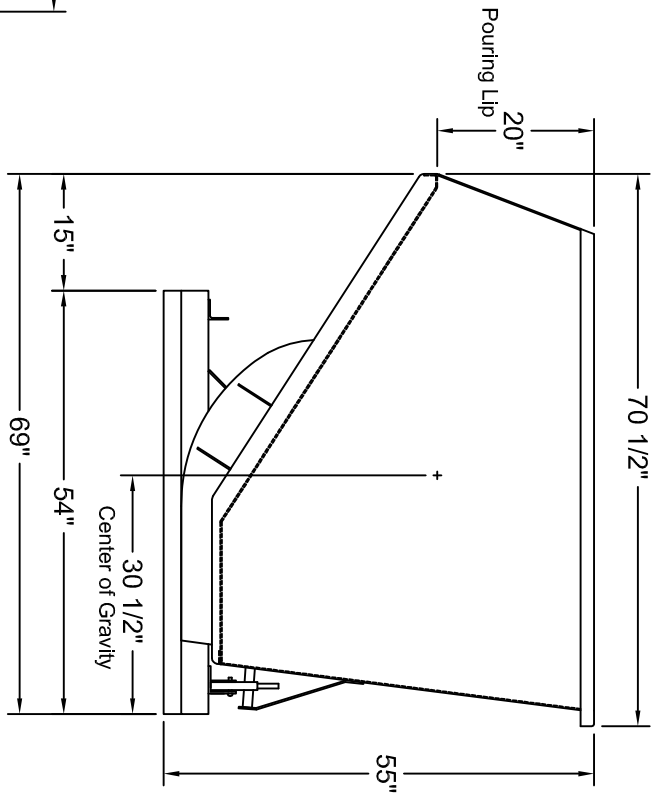
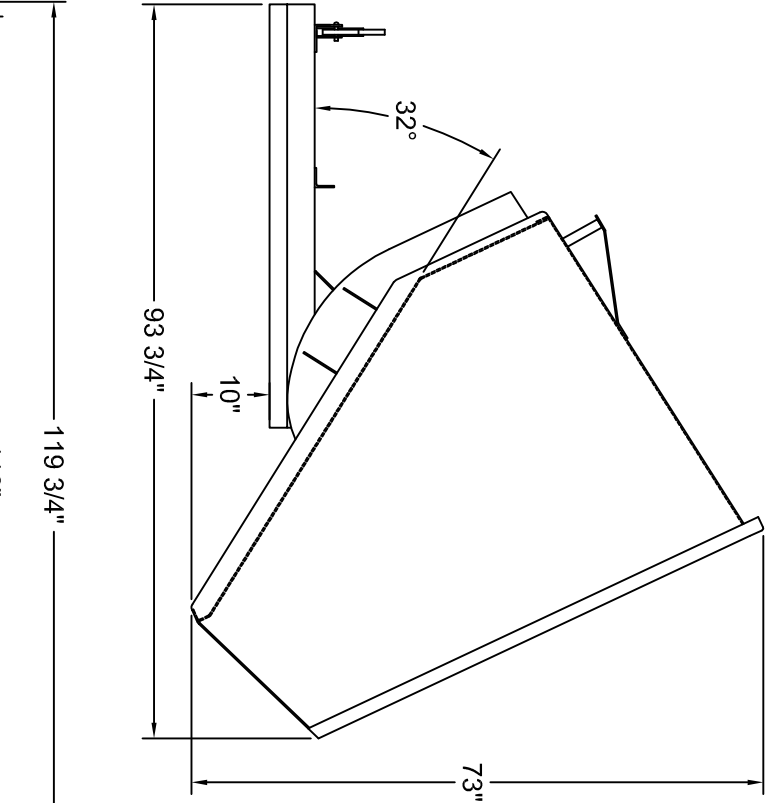


REVISIONS				
ZONE	REV	DESCRIPTION	DATE	APPROVED



3" x 42 1/2"
Fork Opening

Note: All dimensions are approximate some dimensions may vary slightly per hopper



McCullough Ind., Inc.

6 yd Hopper Basic Dimensions

UNLESS OTHERWISE SPECIFIED: DIMENSIONS ARE IN INCHES DECIMALS ± .050 ANGULAR ± 0.5° DO NOT SCALE DRAWING		DATE	
DRAWN	CHECKED	DESIGN	DATE
SIZE B		SCALE None	
FSCM NO.		DWG NO.	
60099		60099	
SHEET 1		OF 1	
REV		REV	